

Features

- Must be used in conjunction with an EPV-7500-* vent
- Panel mount, rectangular panel
- Universal power: AC or DC
- Touch screen display with LEDs for easy visual indication
- Easy setup with pre-set purge programs for your application
- Automatic pressure compensation with digital manifold
- Rugged, corrosion-resistant housing
- Global third-party approvals for Class I, II, Div. 2 and Zone 2/22
- Manual valve, no electrical power requirement
- Purge and pressurization valving in one device

Application

The 7500 series panel/external mount purge and pressurization system consists of a control unit and a 7500-MAN-MV-01 manual manifold mounted to a panel. The control unit's menu-driven touch screen display makes it easy to select pre-programmed and user-selected variables. The display has 4 LED indicators that allow users to determine system condition from a distance. See the 7500 control unit datasheet for technical data.

The 7500-MAN-MV-01 manifold combines in one compact housing a ball valve for purging and a needle valve for pressurizing an enclosure. The ball valve has a handle for easy actuation. To provide security and prevent tampering, the needle valve requires a slot-head screwdriver to set the enclosure pressure. See the 7500-MAN-MV-01 manifold datasheet for technical data.

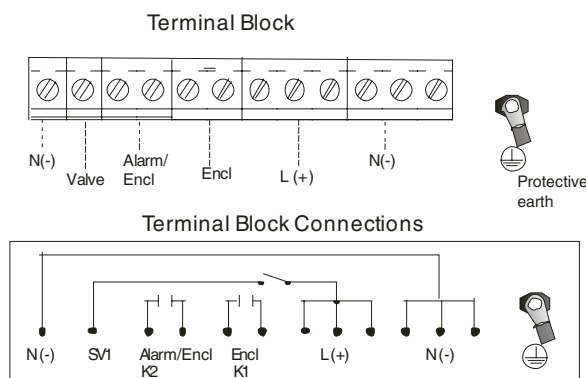
The 7500 series system has NEC, CEC, ATEX, and IECEx third-party certifications for Class I, II/Div. 2 Type Z and Zone 2/22 Ex pzc.




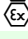
BEBCO EPS®

Connection

Electrical Connections



Release date 2019-07-24 23:13 Date of issue 2019-07-24 70110787_eng.xml

General specifications	
Equipment architecture	max. enclosure size 450 ft ³ (12.7 m ³) For complete technical data, see the 7500 Control Unit and 7500-MAN-MV-01 datasheets
Operating mode	fully automatic (FA)
Series	7500
Hazardous environment	gas or dust
Directive conformity	
Electromagnetic compatibility	
Directive 2014/30/EU	EN 61326-1:2013 , FCC CFR 47, part 15, subpart B: 2017, Class A ICES-003, Issue 6:2016, Class A ITE
RoHS	
Directive 2011/65/EU (RoHS)	EN 50581:2012
Conformity	
Degree of protection	Directive conformity: see Declaration of Conformity
Ambient conditions	
Ambient temperature	Ambient temperature ranges depend on the T class. See the certificates.
Storage temperature	-40 ... 80 °C (-40 ... 176 °F)
Mechanical specifications	
Degree of protection	Mounting to enclosure Type 4X / IP66
Material	screws: AISI 316 (1.4401), 304, or 18-8 stainless steel housing: A380, A356, 6061-T6 aluminum casting mounting gasket: Bisco® HT-800 medium cellular silicone
Mass	2.5 kg (5 lb 10 oz)
Data for application in connection with hazardous areas	
Certificate	
Marking	 II 3 G Ex ec nC [pzc] IIC T6...T4 Gc  II 3 D Ex tc [pzc] IIIC T60 °C ... T80 °C Dc
Directive conformity	
Directive 2014/34/EU	IEC/EN 60079-0 , IEC/EN 60079-2 , IEC/EN 60079-7 , IEC/EN 60079-15 , IEC/EN 60079-31 Supplements: EN 61010-1:2010, EN 61326-3-2:2008, EN 61000-6-2:2005
International approvals	
UL approval	
cULus	Class I, Division 2, Groups A, B, C, D T4 (-40 °C ≤ Ta ≤ 70 °C) Class I, Division 2, Groups A, B, C, D T5 (-40 °C ≤ Ta ≤ 65 °C) Class I, Division 2, Groups A, B, C, D, T6 (-40 °C ≤ Ta ≤ 50 °C) Class II, Division 2, Groups F, G T4 (-40 °C ≤ Ta ≤ 70 °C) Class II, Division 2, Groups F, G T5 (-40 °C ≤ Ta ≤ 65 °C) Class II, Division 2, Groups F, G T6 (-40 °C ≤ Ta ≤ 50 °C)
IECEx approval	Ex ec nC [pzc] IIC T6...T4 Gc Ex tc [pzc] IIIC T60 °C ... T80 °C Dc
General information	
Supplementary information	Type Examination Certificate, Statement of Conformity, Declaration of Conformity. Attention: Declaration of Conformity and instructions have to be observed where applicable. For information see

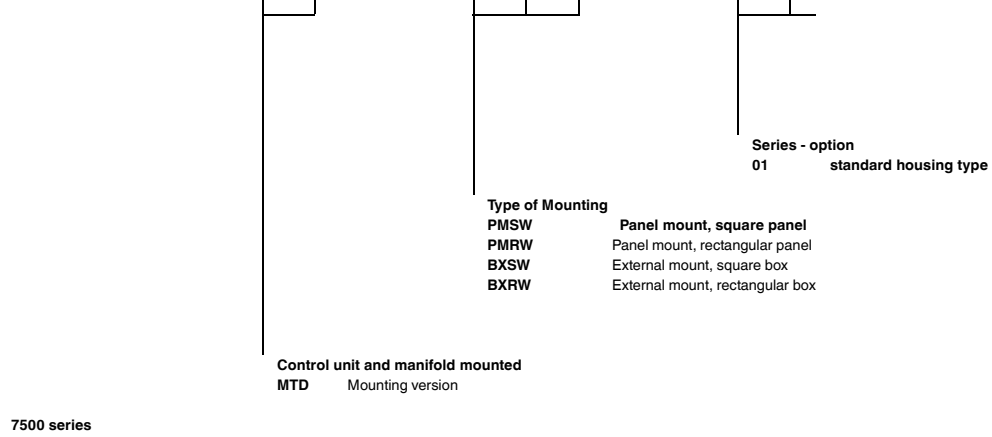
Accessories

- EPV-7500-AA-01
7500 series purge and pressurization system vent, aluminum body and cap
- EPV-7500-AA-02
7500 series purge and pressurization system vent, aluminum body and cap
- EPV-7500-AA-03
7500 series purge and pressurization system vent, aluminum body and cap
- EPV-7500-AA-04
7500 series purge and pressurization system vent, aluminum body and cap
- EPV-7500-SS-01
7500 series purge and pressurization system vent, aluminum body, stainless steel cap
- EPV-7500-SS-02
7500 series purge and pressurization system vent, aluminum body, stainless steel cap
- EPV-7500-SS-03
7500 series purge and pressurization system vent, aluminum body, stainless steel cap

Release date 2019-07-24 23:13 Date of issue 2019-07-24 70110787_eng.xml

Type Code

7	5	0	0	-	M	T	D	-	P	M	S	W	-	0	1
---	---	---	---	---	---	---	---	---	---	---	---	---	---	---	---



Type of Mounting
PMSW Panel mount, square panel
PMRW Panel mount, rectangular panel
BXSW External mount, square box
BXRW External mount, rectangular box

Control unit and manifold mounted
MTD Mounting version